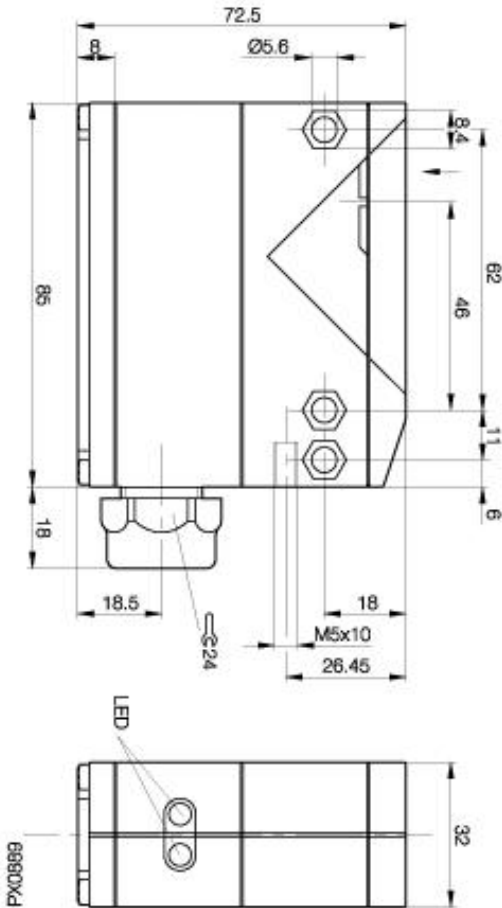


Photoelectric Sensor
BLS 65K-1-G50-1
Sn=50000mm
through-beam



Common Data

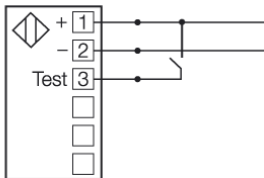
| | |
|-------------------------------------|-------------------------------|
| Series | 65K |
| Sensortype | through-beam |
| Rated operating distance Sn in mm | 50000 |
| asured operating distance Sa | adjustable |
| Repeat accuracy | < 5% from Sn |
| Hysteresis | < 20% |
| Indication Switching element on | yes, red LED |
| Indication Special funktion | LED green Stability indicator |
| Ambient temperature | -20...+55°C |
| On-delay | < 20ms |
| Off-delay | < 20ms |
| Light | Infrared |
| Blind zone / min Reflector distance | 0/- |

Mechanical Data

| | |
|--------------------------|---------------------------------|
| Measurements | 85x72,5x32 |
| Shock | Halfsinus, 30gn, 11ms |
| Vibration | 10...55Hz, 1,5mm Amplitude 3x2h |
| Housing material | Polycarbonat |
| Material of sensing face | PMMA |
| Degree of protection | IP67 |
| Connection | Screw terminals |
| Weighth | 160g |

Electrical Data

| | |
|------------------------------|-----------------|
| Current | AC/DC |
| Rated operational voltage Ue | 110V AC |
| Supply Voltage | 17...264V AC/DC |
| Ripple | max. 6% from UB |
| Frequency of Supply Voltage | AC/DC |
| Short protection | no |
| Rated insulation voltage | 250V DC |



Utilization categories
 Insulation class

DC 13

Datasheet number:

Definitions see general catalog.
 If not otherwise noted, ratings according to
 IEC 60947-5-2 (DIN EN60947-5-2)

Balluff GmbH
 Schurwaldstrasse 9
 73765 Neuhausen a.d.F.
 Phone (07158) 173-0 Fax (07158) 5010

Datenblatt by CD-ROM - 04/2007

BALLUFF
 sensors worldwide